

MAEDA MC285C-3



Crane Capacity

2,82 t x 1,4 m

Max. lifting height (on the ground)

8,7 m

Max. working radius

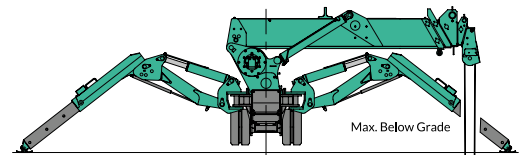
8,205 m x 0,15 t

Max. lifting height (underground)

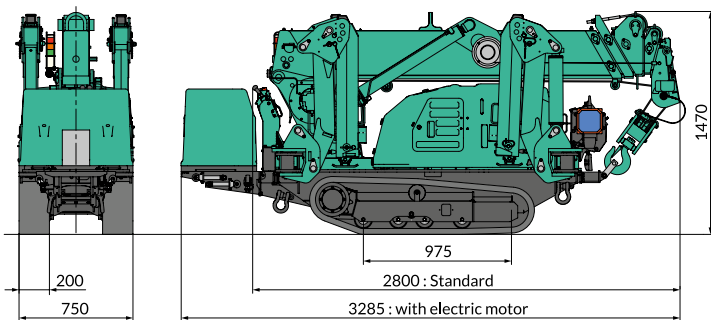
-10,1 m (4 falls)



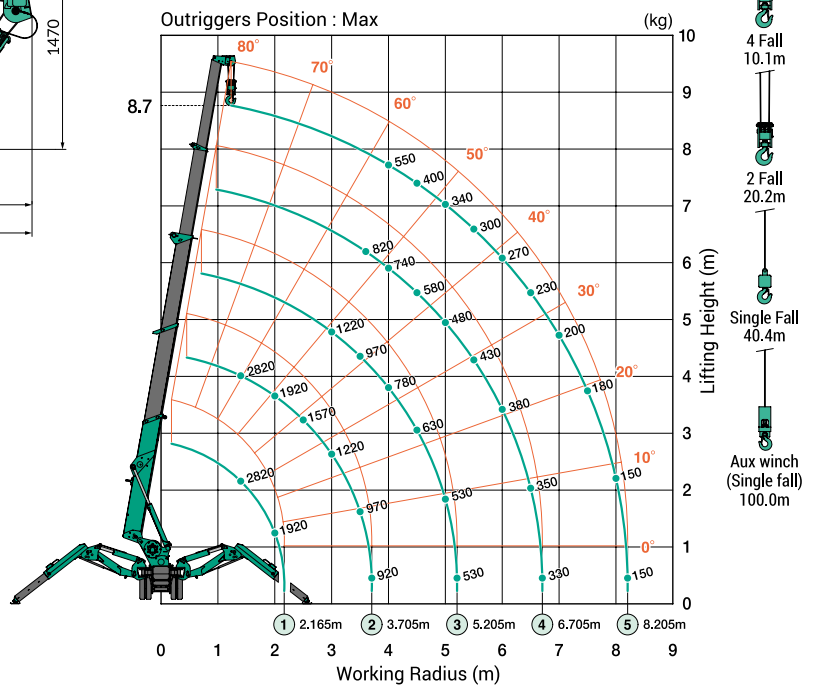
MAX. Reach Below Ground



Dimensions



Working Range Chart (4falls)



* Due to improvements, the specifications are subject to change without notice.